

TSS series

Vertical Boring and Turning Mills



Machine Specifications			TSS-30/55C(S)	
Travel	X-axis travel (Horizontal travel of Ram)	mm [in]	-200 ~ 1950 [-7.87 ~ 76.77]	
	Z-axis travel (Vertical travel of Ram)	mm [in]	1 500 [59]	
	Vertical travel of Cross rail	mm [in]	2 000 [78.7]	
	Horizontal travel of Table	mm [in]	1 100 [43.3]	
Table	Table diameter	mm [in]	3 000 [118.1]	
	Maximum swing size	mm [in]	5 500 [216.5]	
	Table speed	min-1	2 to 100	
	Table loading capacity	kg [lbs]	20 000 [4 4000]	
Spindle	Spindle speed	min-1	15 to 2 000	
	Maximum torque	Nm [lbf-ft]	350 [258]	
Feedrate	Rapid traverse rate	X	mm/min [ipm]	10 000 [394]
		Z	mm/min [ipm]	8 000 [315]
		C	deg/min	360
	Feedrate	X, Z	mm/min [ipm]	2 000 [78.74]
		C	deg/min	360
Motor	Table drive (30/Cont.)	kW [HP]	AC45/37 [AC60/50]	
	Spindle drive (30/Cont.)	kW [HP]	AC18.5/15 [AC24.6/20]	
Machine size	Height x Width x Depth	mm	7465 x 10370 x 6000	
		in	293.9 x 408.3 x 236.2	

Shibaura Machine

755 Greenleaf Avenue | Elk Grove Village, IL 60007 | mt-sales@shibaura-machine.com

Machine Accessories

Arm Compensation devise



Handy Panel



Auto Tool Tip Measurement



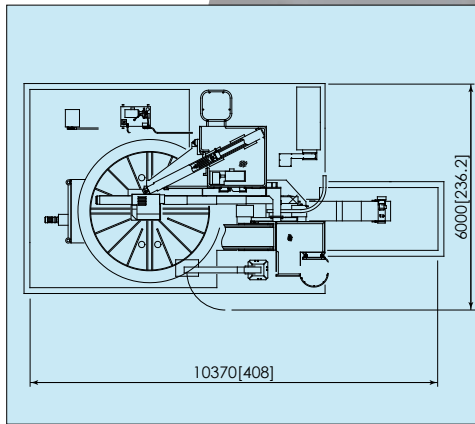
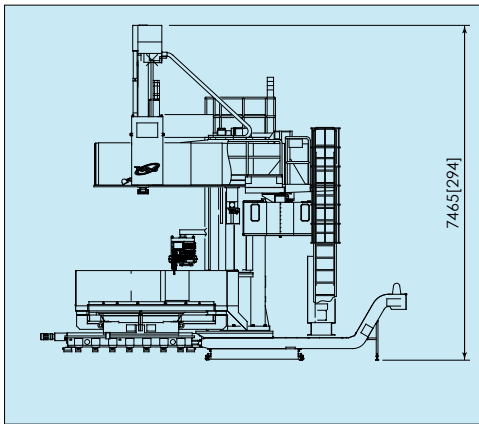
*Option

Auto Work Measurement



*Option

Machine General Views



Machine Specifications

FANUC 31i-MODEL B
Individually 4 Jaws chuck
Double Face Contact spindle
Auto power shut down
Hand rail and ladder on column
Auto diameter and Step measurement
C axis scale feed back by HEIDENHAIN

Number of Auto Tool Change : 24
FMS50A CAT50
ATC Jib crane
2Mpa[284PSI] CTS
Auto measurement function
Auto Tool Top measurement

Shibaura Machine

755 Greenleaf Avenue | Elk Grove Village, IL 60007 | mt-sales@shibaura-machine.com
<https://www.shibaura-machine.com/>