

# MCW series

## Wall Column Type Machining Center (Crossrail Feed Type)

5 Face Head



\*This picture is MCW-4624.

Machine Specifications			MCW-4624
Travel	X-axis travel (Movement of Cross rail)	mm [in]	3 500 [138]
	Y-axis travel (Cross movement of spindle head)	mm [in]	3 700 [146]
	Z-axis travel (Vertical movement of Ram)	mm [in]	900 [35.4]
Table	Floor plate working surface	mm [in]	3 200x2 400 [126x95]
	Table loading capacity	kg/m <sup>2</sup>	10 000
Spindle	Spindle maximum torque	Nm [lbs.ft]	1528 [1127]
	Spindle speed range	min-1	30 to 4 000
Feedrate	Rapid traverse rate	X,Y m/min [ft/min]	25 [82]
		Z m/min [ft/min]	10 [32.8]
	Feedrate	mm/min [ipm]	1 to 10 000 [0.04 to 393.7]
Spindle motor	30 min.rating / cont.rating	kW [HP]	AC30/22 [AC40/30]
Accuracy	Positioning	X,Y,Z mm [in]	±0.007 [±0.0003]
	Repeatability	X,Y,Z mm [in]	±0.003 [±0.00012]
Machine size	Height x Width x Depth	mm	5200 x 8300 x 9900
		in	204.7 x 326.8 x 389.7

\*We have other size, please contact from below Email.

# Shibaura Machine

755 Greenleaf Avenue | Elk Grove Village, IL 60007 | mt-sales@shibaura-machine.com

## Attachments Accessories



Snout head

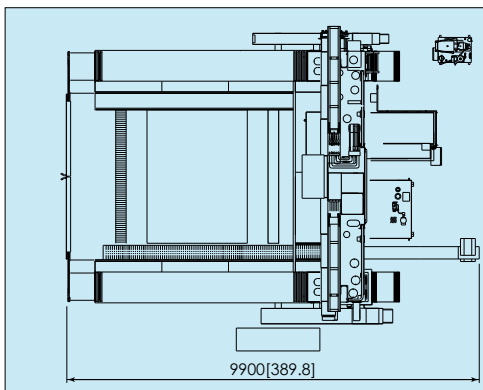
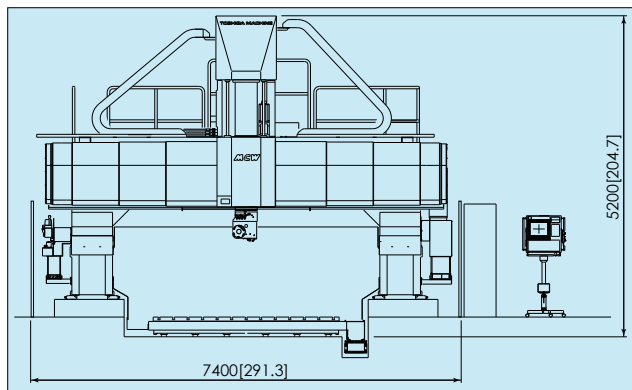


Long Snout Head



Long Angle Head

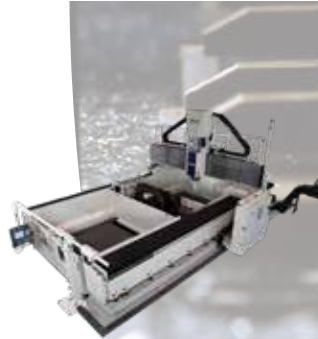
## Machine General Views



## New concept



Long X Travel with 5 axis Head



Tandem Plates

# Shibaura Machine

755 Greenleaf Avenue | Elk Grove Village, IL 60007 | [mt-sales@shibaura-machine.com](mailto:mt-sales@shibaura-machine.com)  
<https://www.shibaura-machine.com/>